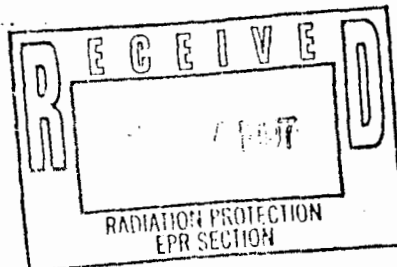


**Operating and assembly instructions**



*Ergoline*

# DANGER — Ultraviolet radiation. Follow instructions. Avoid overexposure.

As with natural sunlight, overexposure can cause eye and skin injury and allergic reactions. Repeated exposure may cause premature aging of skin and skin cancer. Medications or cosmetics may increase your sensitivity to the ultraviolet radiation. Consult your physician before using sun lamp if you are taking medications or have a history of skin problems or believe yourself especially sensitive to sunlight. If you do not tan in the sun, you are unlikely to tan from the use of this product. **WARNING:** To avoid injury and overexposure only one person at a time may use this device. Minimum use distance is zero inches/cms. Use while lying down.

## WEAR PROTECTIVE EYEWEAR; FAILURE TO MAY RESULT IN SEVERE BURNS OR LONGTERM INJURY TO THE EYES.

Do not operate device without wearing recommended protective eyewear. A list of compliant eyewear can be obtained in writing from: *Gower Enterprises, Inc., 200 Hwy. 31 South, P.O. Box 577 Athens, Alabama 35611*

## RECOMMENDED EXPOSURE SCHEDULE

Sun Bed Type JK—Ergoline 35 using SOLTRON S or ERGOLINE S Lamps

Weeks	Week 1	Week 2	Week 3	Week 4 and maintenance
Sessions	1-3	4-6	7-9	
Skin Type 1 (Very Fair)	DO NOT USE	THE SUN BED	AT ALL !!	
Skin Type 2 (Light)	3 min	6 min	10 min	13 min (max.)
Skin Type 3 (Medium)	5 min	8 min	11 min	13 min (max.)
Skin Type 4 (Dark)	7 min	10 min	13 min	13 min (max.)

Tanning can begin on a basis of every other day. Expected result will normally appear after three to five exposures and maximizes after three to four weeks of repeated exposures. Do never exceed the rec. exposure time for one session. Do never use the sun bed on two consecutive days or at same day more than once.

## WARNING, DISCONNECT POWER BEFORE WORKING ON ANY PART OF THE EQUIPMENT.

This product is to be used only with SOLTRON S or ERGOLINE S Lamps; these lamps have identical spectrums. And for units with face tanner use only Radium HTC 400 W 241 R7s. For continued compliance with your unit write to *Gower Enterprises, Inc., 200 Hwy. 31 South, P.O. Box 577 Athens, Alabama 35611* or call 1-800-376-1147 for parts and assistance.

THIS PRODUCT IS IN CONFORMITY WITH THE PERFORMANCE STANDARD FOR SUNLAMP PRODUCTS UNDER 21 CFR PART 1040.20.

# CONTENTS

What to do in the event of transportation damages	Page	1
General tanning instructions	Page	2
Definition of skin types and rec. exposure schedule	Page	3
Technical datas and installation recommendations	Page	4
Assembly instructions	Page	5-10
Electrical connections	Page	11
Connections and operating instructions computer (MCS)	Page	12-22
Connections and operating instructions standard contr.	Page	23/24
Operating instructions and functions of sun bed	Page	25
Service instructions	Page	26-30
Hour counter location and add on	Page	31
Connection to air discharge system	Page	32
Additional recommendations	Page	33
Trouble shooting	Page	34
Connecting diagram remote controls	Page	35
Wiring diagram ERGOLINE 35-1 FT (bench section)	Page	36
Wiring diagram ERGOLINE 35-1 FT (upper section)	Page	37
Wiring diagram ERGOLINE 35-3 FT (bench section)	Page	38
Wiring diagram ERGOLINE 35-3 FT (upper section)	Page	39

Dear JK customer:

THANK YOU for purchasing one of our highly sophisticated tanners JK - ERGOLINE.

Your sun bed has been manufactured with extreme care and has been subjected to numerous quality inspections and tests in order to ensure its safe and reliable operation.

Since YOU play an important role to ensure your long term satisfaction with this high-tech tanner, please read the installation and operating instructions very carefully. Please follow them precisely, because a correct installation is the foundation for a satisfying performance of your JK-Ergoline tanner.

Should you nevertheless experience any difficulties with your JK sun bed we kindly ask you to contact your local JK dealer or us at the address below.

We hope you enjoy your new JK-Ergoline sun bed.

Importer:

Manufacturer:

**GOWER ENTERPRISES; Inc.**

**JK-JOSEF KRATZ GmbH**

200 Hwy. 31 South, P.O. Box 577  
Athens, Alabama 35611  
USA  
Phone: 1-800-376-1147

Rottbitzer Strasse 69  
D-53604 Bad Honnef  
Germany  
Phone: 011-49-2224-8180

#### WHAT TO DO IN THE EVENT OF TRANSPORTATION DAMAGES

Despite extreme care, transportation damages cannot always be avoided. As such transportation damages are extremely annoying, we don't want you to encounter additional disadvantages.

If you should observe any transportation damages, please adhere to the following recommendations so that the damage can be rectified as fast and as uncomplicated as possible:

- \* Identifiable damages are to be reported in writing to the transport company responsible for the delivery within a period of 4 days - to include the day of delivery and receipt of the claim by the transport company. Do always request a claims inspector to see the damages.
- \* All claims must be made to the transport company who carried out the delivery because, according to their general terms and conditions, the transportation risks are borne by the consignee. We will nevertheless assist you with any justified claim.

# GENERAL TANNING INSTRUCTIONS

WHAT YOU SHOULD KNOW ABOUT THE APPLICATION OF YOUR JK EQUIPMENT.

Q:

Who can get a tan?

A:

Anyone who can get a tan in natural sunshine can probably get a tan with this product. People with sensitive skin can tan more gently because JK sun beds radiate the skin with very little UVB rays which cause sunburn.

Q:

How many sunbaths are necessary?

A:

This also depends on the individual tanning capability of the skin; just the same as natural sunshine. Generally, a normal tanning skin (skin type III - medium complexion) will have an attractive and uniform tan after 3 - 5 sunbaths. There after 1 or 2 sunbaths per week are sufficient to retain the color.

Q:

Is it necessary to use a sun lotion?

A:

No! The skin should be thoroughly cleaned and dried before sunbathing. After sunbathing, we recommend the application of a moisture creme or lotion. All "after sun" compounds are suitable.

## \*Warmth erythema (heat-rash)

Sensitive skin can react with a heat-rash; the skin turns bright red due to the remaining infra-red (heat) rays. This is not a sunburn and will not impair your health. However if this occurs the tanning periods should be shortened so that your skin has more time to adjust.

Q:

What are the recommendable tanning periods?

A:

As you will see on the next page, several considerations must be given to the individual skin sensitivity and skin type.

# Definitions of skin types and recommended exposure schedule

The following definitions of skin types and recommended exposure schedules will give you certain guidelines for a responsible operation of our sun beds.

**\*Disclaimer:**

We want to point out, that these recommendations do not guarantee any results or safety due to the use of the equipment. You as the user or operator make the ultimate judgement for the responsible use of the sun bed. Neither we nor anyone of our employees, distributors, dealers or anybody else involved in the distribution process will accept any responsibility for the safe operation of the equipment except as required by law and as outlined in our Terms and conditions of sale. \*

**Definition of skin types**

**Skin Type I**

Very Fair - very pale, many freckles and mostly red-brown hair; tans not in natural sunlight or indoors; burns always.  
Do not use the sun bed at all!

**Skin Type II**

Light - pale, light complexion; does get a sunburn easy and frequently; should only very moderately tan.

**Skin Type III**

Medium - white complexion; does get a sunburn seldom.

**Skin Type IV**

Dark - does not get a sunburn; does normally not need any sun protection outdoors; tans fast.

**RECOMMENDED EXPOSURE SCHEDULE \*See our disclaimer note**

for JK-Ergoline Sun Bed Type 35 using SOLTRON S or ERGOLINE S Lamps

Skin Type / Sessions	Week 1 1 - 3	Week 2 4 - 6	Week 3 7 - 9	Week 4 and < maintenance
I Very Fair	DO NOT USE THE SUN BED AT ALL !!!			
II Light	3 min	6 min	10 min	13 min (max.)
III Medium	5 min	8 min	13 min	13 min (max.)
IV Dark	7 min	10 min	13 min	13 min (max.)

NOTE: DO NEVER AT ANY TIME EXCEED THE MAX EXPOSURE TIME - DO NEVER USE THE SUN BED ON TWO CONSECUTIVE DAYS OR AT THE SAME DAY TWICE.

## Where can the tanner be installed?

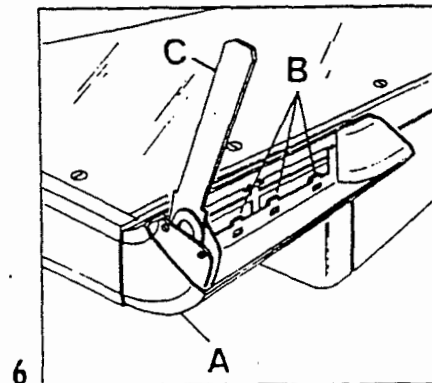
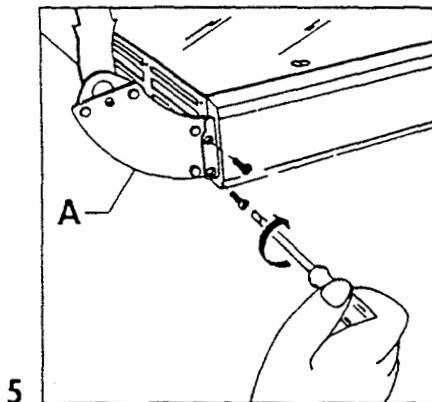
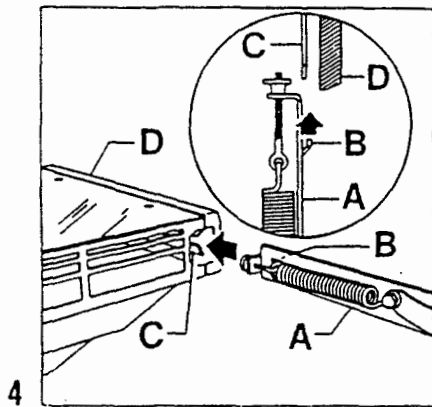
All Ergoline tanners are designed for use in rooms which are not subject to water, water spray or condensation. The relative humidity of the room must not exceed 70 %. In order to avoid overheating of the bench surface while tanning, the room temperature should not exceed 78 degrees F.

Please ensure that adequate air intake and air discharge is always available. You will need approx. 1 ton of aircondition per unit. This is a rule of thumb only and you should get the advice from your local airconditioning specialist for proper application.

## TECHNICAL DATAS OF THE JK ERGOLINE

SUNBED TYPE	ERGO 20-0	ERGO 26-0	ERGO 26-1	ERGO 35-1	ERGO 35-3
Dimensions L	78" inch	78" inch	78" inch	85" inch	85" inch
W	41"	41"	41"	41"	41"
open > H	60"	60"	60"	60"	60"
Tanning Surface	72"x27"	72"x27"	72"x27"	81"x27"	81"x27"
Weight	220 lbs	240 lbs	240 lbs	350 lbs	350 lbs
Boxes per unit	2	2	2	3	3
Power Volt	220	230	230	230	230
Consumption	2800 Watt	3200 Watt	3600 Watt	5600 Watt	6400 Watt
Breaker	15 Amps	20 Amps	20 Amps	30 Amps	30 Amps
Lamps	20 71"	26 71"	21 71"	35 71"	35 71"
Watt	100 Watt	100 Watt	100 Watt	100 Watt	100 Watt
Watt			5 59" 80 Watt		
High Pressure			1x400 W	1x400 W	3x400 W

# Assembly Ergoline 26/35



Holes are located at the head and foot ends at the rear of the bench section. Slide the hinges (A) carefully into these holes.

### Important!

Ensure that the hook (B) is located between the guide (C) and bench facing (D).

Fix the hinge (A) with the screws (fig. 3) removed from the upper section to the bench section facing at the head and foot ends.

### Hinge facing

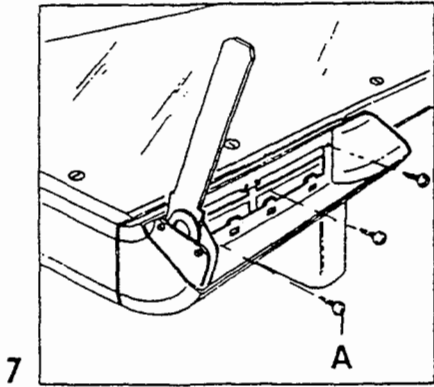
The hinge facing at the head and foot ends consists of 2 each bow-shape tubes which slide telescopically inside each other.

First install the inner tube to the bench section. The inner tube (A) can be easily identified by the 4 hooks (B) along one edge. There is also a difference between the inner tubes for the head and foot ends. This can be easily identified because the opening for the hinge (C) at the hook side is larger.

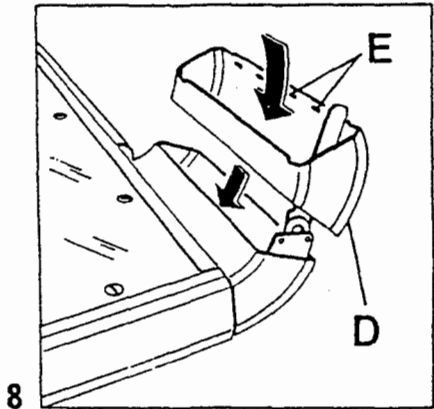
Install the tube so that its hooks (B) lock into the profiled strip of the bench section.



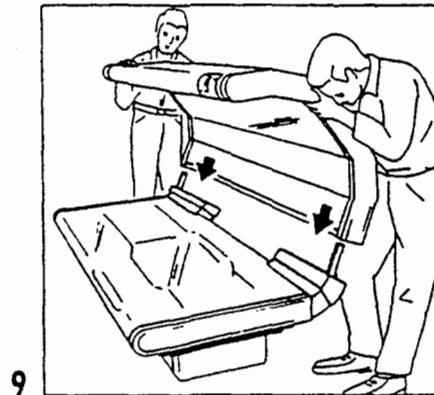
# Assembly Ergoline 26/35



Affix the tube via the 3 Phillips screws (fig. 7).



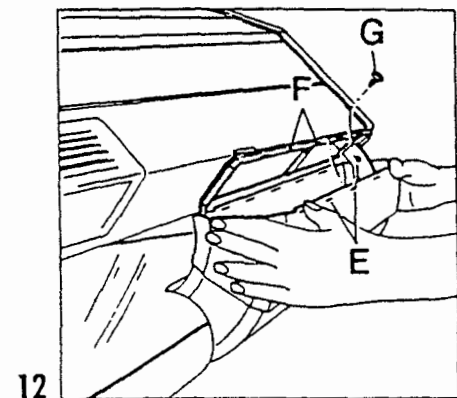
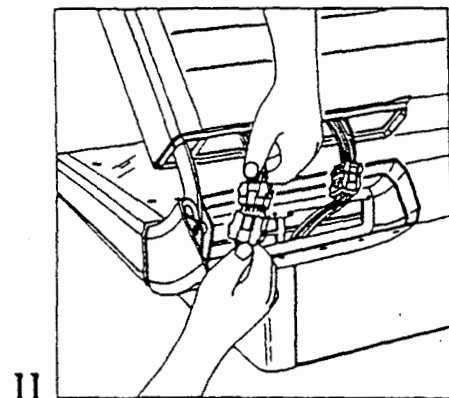
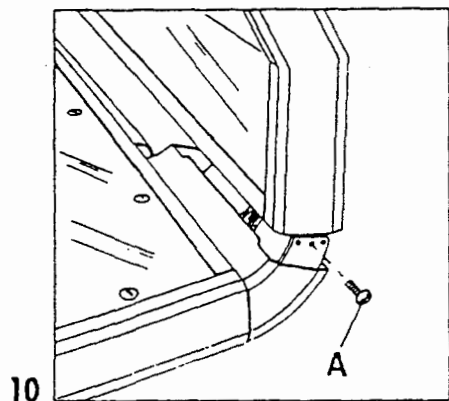
Now slide the outer tube (D) over the inner tube so that the edge with the five holes (E) is upward.



## Upper section

The upper section can now be pushed on while ensuring that it is correctly aligned. It is recommendable for a third person to align and guide the hinges from below. The hinge is to be pushed into the opening in the upper section between the outer facing and the black guide track.

## Assembly Ergoline 26/35



The moving part of the hinge is locked. Release the catch by lightly pressing the front edge of the upper section downwards and removing screw (A) at the same time.

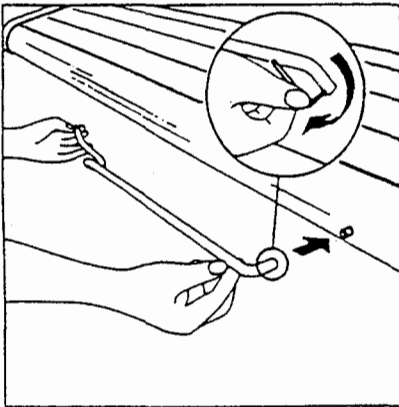
Push the electrical connections of the upper section and bench section together until they click into place.

**Remarks:** The plugs can only be connected the correct way due to their shape.

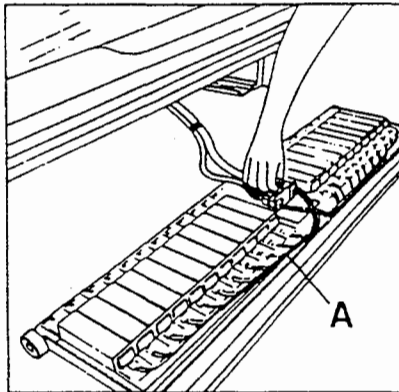
Slide the bow-shape tube upwards until the latches (F) in the upper section lock into the respective holes (E) (fig. 12).

Thereafter insert one of the enclosed Phillips head screws (G) into the middle latch.

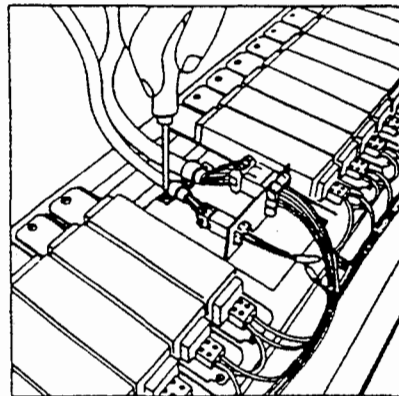
## Assembly Ergoline 26/35



13



14



15

### Handle

Push the handle on the pins at the front of the upper section. The long straight part of the handle is to be installed towards the head end. A stud bolt is located under each end of the handle. Tighten them with the supplied Allen key.

### Electrical module

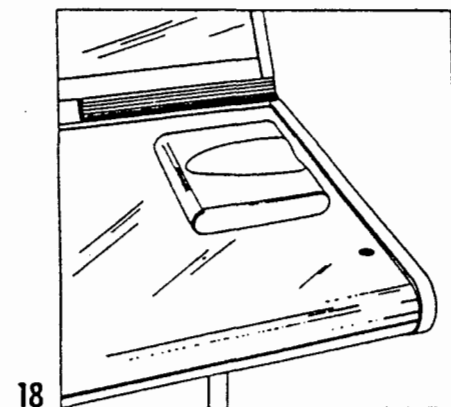
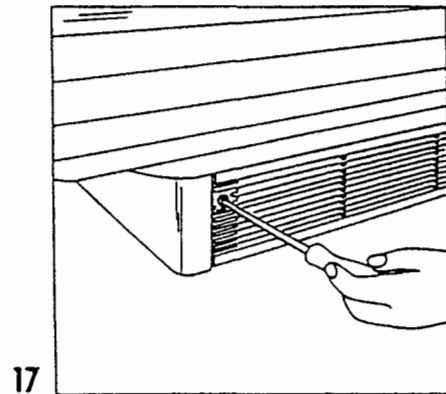
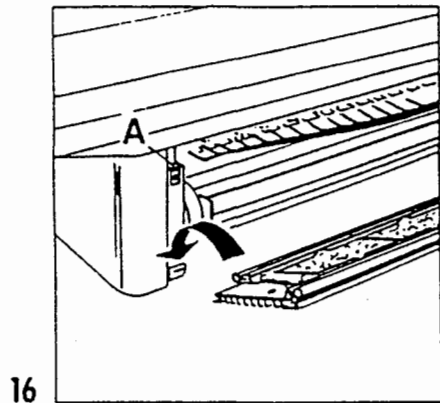
Roll the electrical module forwards in front of the sunbed so that the cable bundle (A) is at the front and then push the electrical plugs together until they engage.

Both cables must be secured via a tension reliever. Secure the cable to the electrical module with the pre-installed clamps. Push the electrical module into the sunbed until it engages.

---

## Assembly Ergoline 26/35

---



### Ventilation facing

Push supplied threaded plates from above into the foot (A). Insert the lower edge of the facing between the sunbed's feet and fold it upwards.

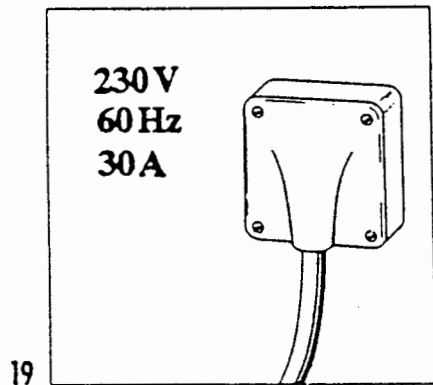
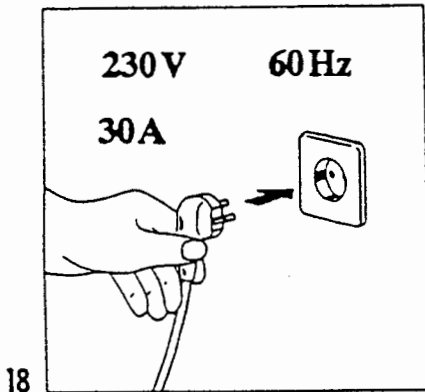
Affix the ventilation grid with the supplied flat-head screws.

### Headrest

Place the headrest as illustrated on the bench surface at the head end. Only this headrest position will support the neck and offer comfort and total relaxation.

The headrest is loose on the bench surface so that it can be moved to suit the height of various people.

## Assembly Ergoline 35



### Electrical connection ERGOLINE 35

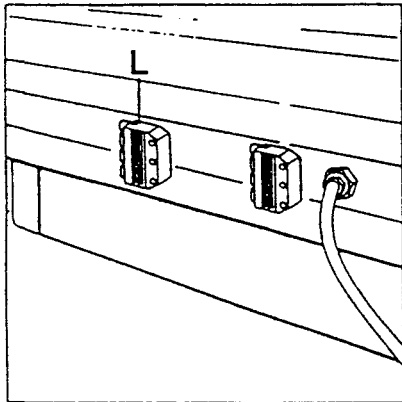
Electrical rating: 230 V 60 Hz 30 Amp.  
single phase.

**WARNING:** All electrical connections must be carried out by a certified electrician and in accordance with the local electrical regulations.

Please adhere to the different connecting values of the tanners equipped with one or three facial tanners. You must use an outlet with a ground fault interrupter.

The tanner can either be connected to the mains outlet via a BRYANT locking attachmt. plug 2 pole / 3 wire 30 Amp 250 Volt rating; or permanently connected to the outlet. If the connection is permanently, the power supply cable must be equipped with an all phase interrupter switch.

## Connections (computer control)



**Please note:**

If you need a longer installation cable for the JK-coin machine with micro-computer, **you must** use a flexible screened control cable 8 x 0,56 mm<sup>2</sup> (JK-part No. 60740).

**Connection to JK control with micro-computer**

Your JK sunbed can be connected to either remote control, a coin machine or a central remote control unit.

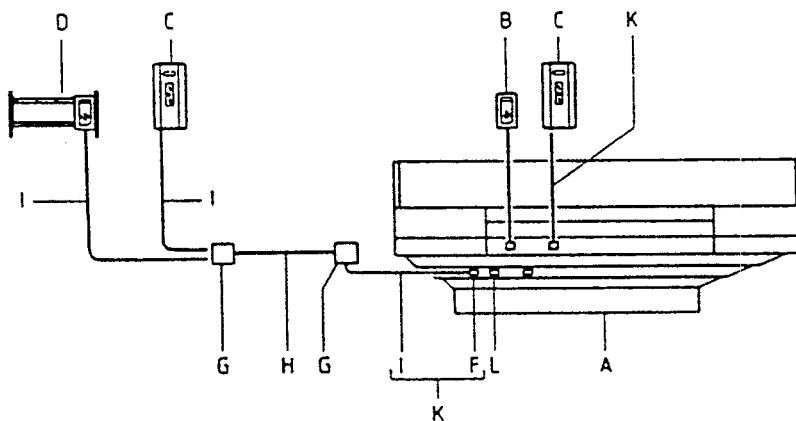
The layout of the control lines and their connections can be seen in the drawing below and the circuit diagram on page 35

The drawing shows the sunbed from the rear.

- A = Sunbed
- B = Remote control with micro-computer
- C = Coin machine with micro-computer
- D = Central remote control
- L = Socket (green/black)
- F = JK plug/part No. 70010683
- G = Connection box
- H = Installed screened control cable 6 x 0,56 mm<sup>2</sup> or 8 x 0,56 mm<sup>2</sup>
- I = Flexible screened control cable 6 x 0,56 mm<sup>2</sup>, part No. 60688  
= Flexible screened control cable 8 x 0,56 mm<sup>2</sup>, part No. 60740
- K = Flexible screened control cable (4 m) with JK-plug, part No. 70071376 (6 x 0,56 mm<sup>2</sup>)  
= Flexible screened control cable (4 m) with JK-plug, part No. 70071817 (8 x 0,56 mm<sup>2</sup>)

**Connection to coin machine or central remote control only**

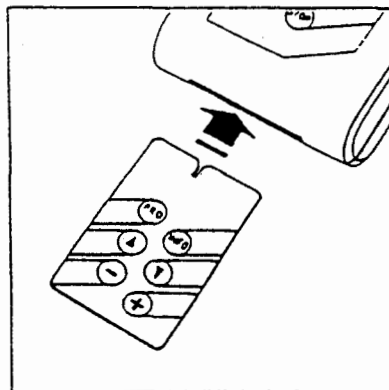
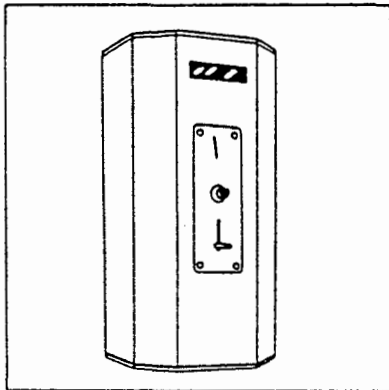
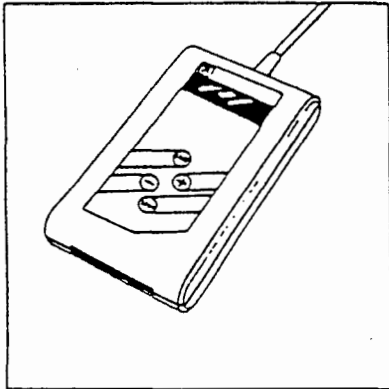
If a coin machine or remote control unit is connected to the sunbed via an installed cable (H), disconnect the plug which is installed to the control cable (I) and connect the wires directly to the respective connection box (G).



---

## General

---



### Micro-computer

All JK Profi sunbeds can be controlled via a micro-computer which can be installed in a JK coin machine or the housings of JK remote control units to carry out the following functions:

- Control of programmed tanning period between 1 and 13 minutes precise to the second
- Acoustic signals each minute during tanning
- Acoustic signal after the tanning period has expired
- Programmable delayed start between 0 and 5 minutes
- Programmable prolonged ventilation between 1 and 5 minutes
- Acoustic and visual information of various service intervals
- Read-out of sunbed hour-counter
- Read-out of sunbed starts
- Selection from 4 languages in display

You are reminded that the micro-computer will only operate correctly under the following conditions:

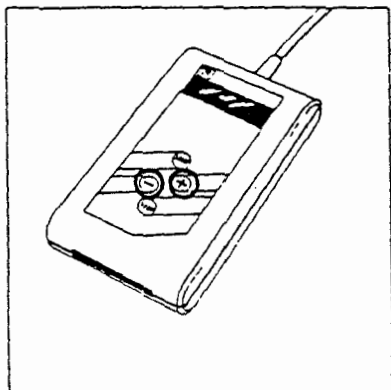
- Operational temperature 0-40° C
- Relative humidity max. 80 %
- Storage temperature 0-50° C

### Service card

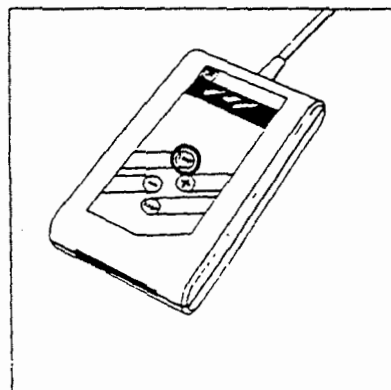
The programming and read-out functions of the micro-computer are carried out by the service card.

This service card is connected to the coin machine or remote control unit by inserting it in the respective slot.

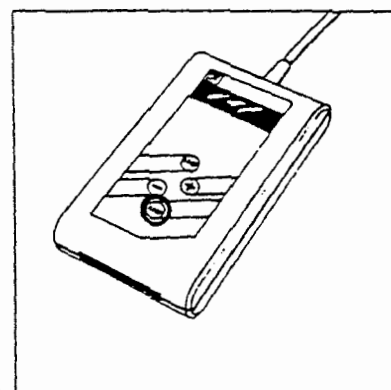
# Tanning



1



2



3

If, for example, a tanning period of 10 minutes has been programmed (assuming that the sunbed is connected to the power supply), the display in the remote control unit will show:

Tanning 10 min.  
prepare

The indicated tanning period can be altered to a permanent period between 1 and 10 minutes by pressing the + or - button (fig. 1). When briefly pressing a button, the time correction is carried out in steps of 1 minute. When holding the button, the time correction will increase or decrease continuously.

The tanning period can be started by pressing the **START** button (fig. 2). If a delayed start has been programmed, the display will show:

Preparation time  
Rest 3 min.

After the indicated delayed start has expired, or if a delayed start is not programmed, the fan in the sunbed will start and the display will show:

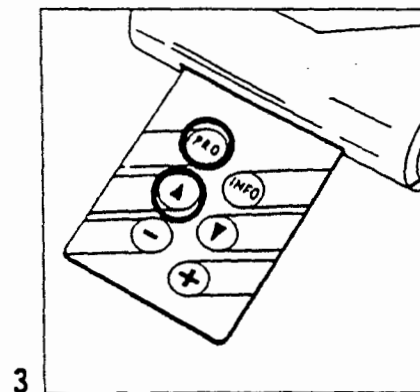
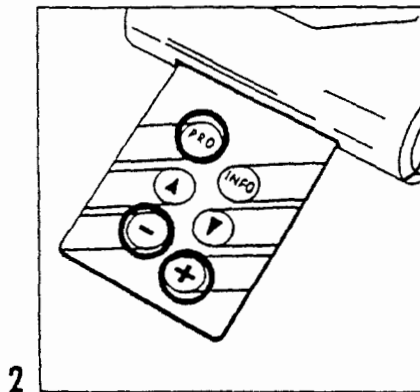
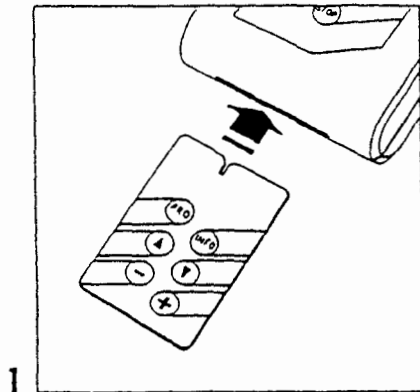
Tanning goes on  
for 10:00 min.

If the **START** button is pressed again during the delayed start, this will abort and override the delayed start period.

After 10 seconds the tubes in the sunbed will be automatically switched on and the display will show the remaining tanning period in minutes and seconds. During the delayed start period plus 10 seconds, the tanning program can be interrupted by pressing the **STOP** button (fig. 3)



# Programming



Delayed start, prolonged ventilation, service intervals and tanning duration can be programmed via the service card.

The service card is to be placed in the slot of the remote control unit or the coin machine when a programmed tanning period is not in progress (fig. 1).

## Delayed start

Press the **PRO** button. The display will show:

Preparation  
time X min.

The indicated delayed start can be altered between 0 and 5 minutes by pressing the **+** or **-** button.

## Prolonged ventilation

Press the **PRO** button.

Press the **▲** button 1 x. The display will show:

Fan continues  
X min.

The indicated prolonged ventilation can be altered between 1 and 5 minutes by pressing the **+** or **-** button.

## Cleaning tanning tubes / reflectors

Press the **PRO** button.

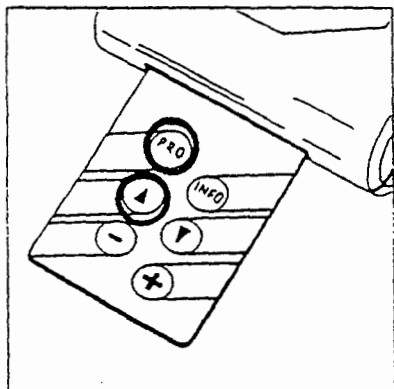
Press the **▲** button 2 x. The display will show:

Clean reflector  
every XX hrs.

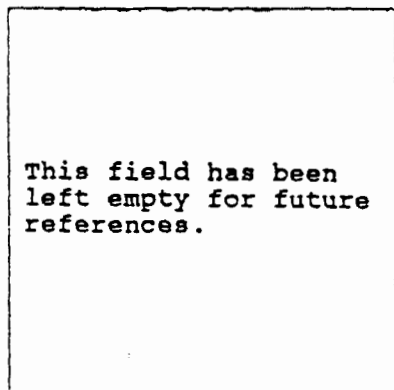
The indicated service interval can be altered between 50 and 500 hours by pressing the **+** or **-** button.

Now store the programmed service interval (see page 18).

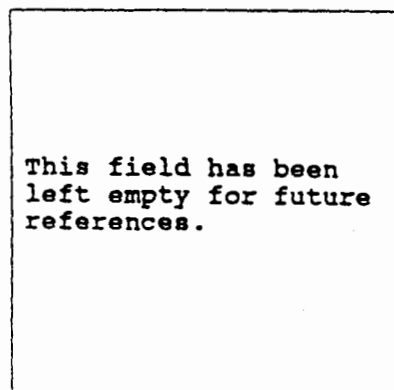
# Programming



4



5



6

## Change the dust filter

Press the **PRO** button.

Press the **▲** button 3 x. The display will show:

Change filter  
every XX hrs.

The indicated service interval can be altered between 10 and 100 hours by pressing the + or - button.

Now store the programmed service interval (see page 18).

## Changing the tanning tubes

Press the **PRO** button.

Press the **▲** button 4 x. The display will show:

Change LP-tubes  
every XXX hrs.

The indicated service interval can be altered between 200 and 1500 hours by pressing the + or - button.

Now store the programmed service interval (see page 18).

## Changing the facial tanner

Press the **PRO** button.

Press the **▲** button 5 x. The display will show:

Change HP-bulbs  
every XXX hrs.

The indicated service interval can be altered between 250 and 1500 hours by pressing the + or - button.

Now store the programmed service interval (see page 18).

## Permanent tanning period

A permanent tanning period of 13 minutes has been programmed for your unit.

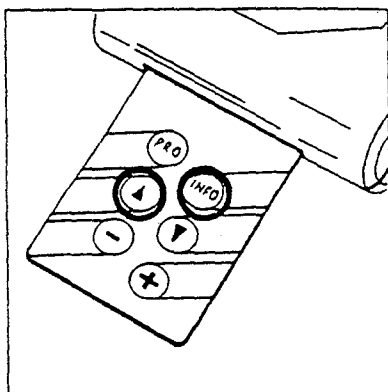
However you can alter the tanning time between 1 and 13 minutes according to the recommended exposure time schedule as follows:

- \* Insert service card.
- \* Select desired tanning time by pressing the + or - button on the service card.
- \* Remove service card.

### NOTE:

It is not possible to alter the tanning period via the + and - buttons on the remote control unit itself.

## Storing service intervals – information display



1

\* Although the operational hours and quantity of tanning periods are counted with 4 digits, only the last 3 digits are displayed.

If it is required to show the thousand and ten-thousand digits in the display, the plus and minus buttons must be simultaneously pressed. The thousand and ten-thousand digits will be displayed according to the following codes.

• = 0000	N = 14000
A = 1000	O = 15000
B = 2000	P = 16000
C = 3000	Q = 17000
D = 4000	R = 18000
E = 5000	S = 19000
F = 6000	T = 20000
G = 7000	U = 21000
H = 8000	V = 22000
I = 9000	W = 23000
J = 10000	X = 24000
K = 11000	Y = 25000
L = 12000	Z = 26000
M = 13000	

### Storing service intervals

After programming the service intervals, the respective data must be stored as follows:

- Press **INFO** button on the service card
  - Press **▲** button once or more times until the respective service interval is shown in the display
  - Press **–** button 3 x or hold for 1 second
- The service interval is now stored.

### Information display

The service card can be used to display when the next service interval is due, e. g. tube exchange, or to inform you how many hours the sunbed has been in operation.

Insert the service card in the slot of the remote control unit or the coin machine when a programmed tanning period is not in progress.

Now press the **INFO** button. The display will show:

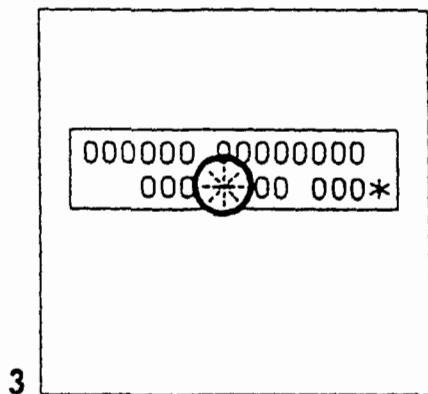
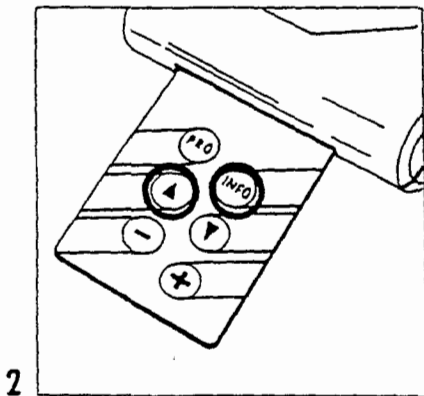
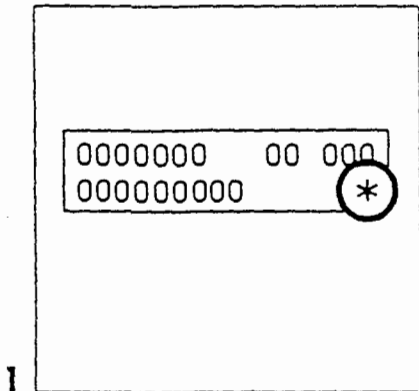
Attention while  
changing tubes:

Pullout  
meins-plug!

When pressing the **▲** button the following information can be displayed:

Clean tanning tubes, reflector	Press <b>▲</b> 1 x
Clean dust filter	Press <b>▲</b> 2 x
Change tanning tubes	Press <b>▲</b> 3 x
Change facial tanner	Press <b>▲</b> 4 x
Hour-counter * (tanning period + prolonged ventilation)	Press <b>▲</b> 5 x
Quantity of tanning periods (counts the starts via remote control)	Press <b>▲</b> 6 x

# Service signals



## Visual service signals

If a programmed interval between services has expired, an asterix will appear in the lower/right of the display. This asterix can be seen during all types of operation and even during tanning (fig. 1).

The service card is used to determine which type of service is necessary. Insert the service card in the slot of the remote control unit or coin machine when a programmed tanning period is not in progress (fig. 2).

Press **INFO** button

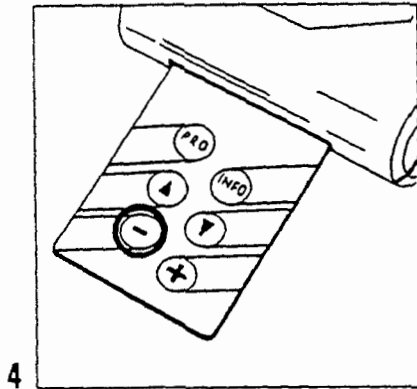
Press **▲** button once or numerously

until the respective service requirement is displayed. This can be identified by a blinking minus symbol in front of the quantity of hours (fig. 3).

---

## Service signals

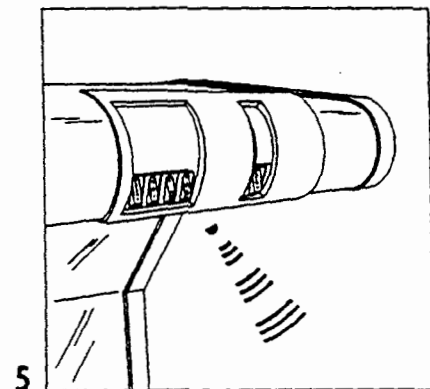
---



Set the counter at its starting position after the service has been carried out. Press — button 3 x or hold for 1 second (fig. 4).

The asterisk in the display will be cancelled. If the counter is not returned to starting position, the blinking minus symbol will be retained and the hours will be counted commencing from zero.

This will enable you to identify how long a service interval has been exceeded. The digits -37, for example, means that service was due 37 hours ago.



### Acoustic service signals

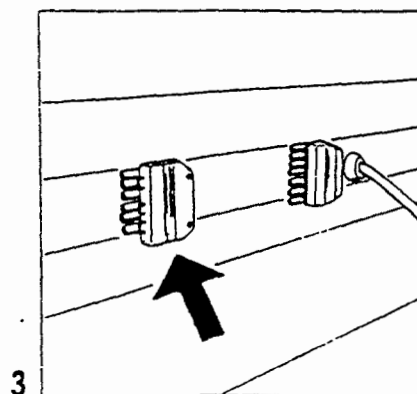
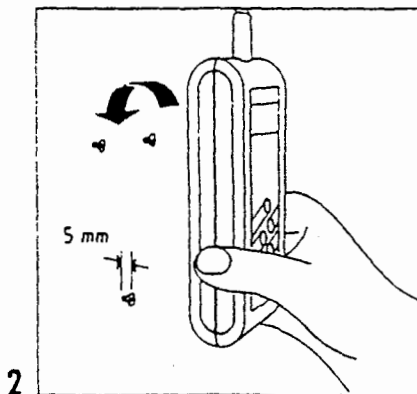
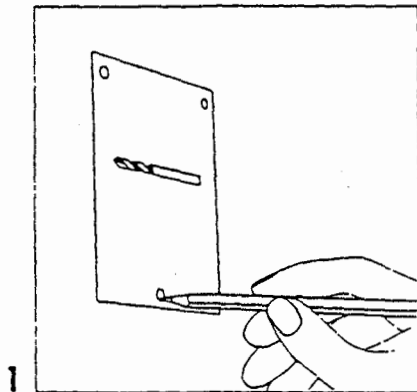
Apart from the visual display in the remote control unit or the coin machine, an acoustic signal will also sound when the dust filter is due for exchange.

This signal will sound as a continuous 10-second tone at the beginning of every tanning period and will be repeated at the beginning of every tanning period until the dust filter has been exchanged and the respective counter is altered back to its starting point.

---

## Miscellaneous

---



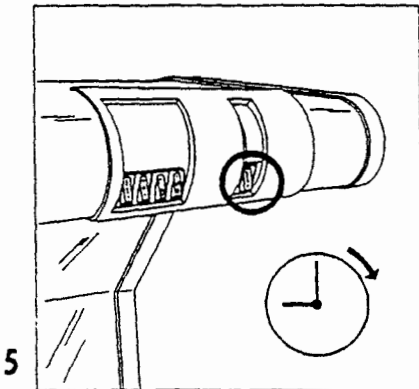
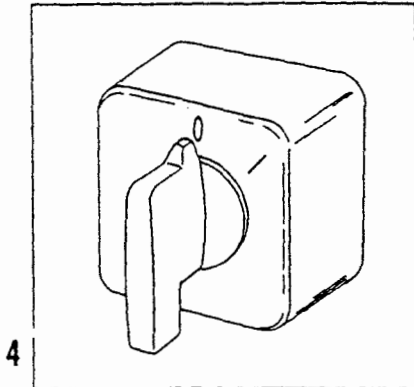
### **Affixing remote control to a wall**

- Use the supplied drilling matrix to mark the position of the three bore-holes.
- Drill the holes ( $\varnothing$  5 mm) and insert plugs.
- Screw in the supplied screws until their heads protrude 5 mm (see illustration on drilling matrix).
- Remove the covers of the 3 holes at the rear of the remote control unit and install it on the screws.

### **Connection of micro-computer / sunbed**

The micro-computer is connected via a special socket (green/black) which is already available at the rear of the sunbed (fig. 3).

## Miscellaneous



### Power failure

if a power failure occurs after the start button has been pressed, the present program is immediately cancelled.

This means that the program will not continue after the power supply has been restored. Instead, the display of the remote control unit will show:

Tanning XX min.  
prepare

and the coin machine display will show:

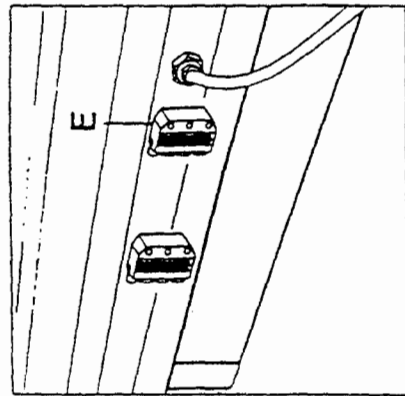
Tanning XX min.  
put in coin

### Stop buttons

The stop buttons on the sunbed and remote control unit have different functions. If the stop button on the remote control unit is pressed during tanning, the tanning period is immediately interrupted and the prolonged ventilation will start. If the stop button on the sunbed is pressed during tanning, the tanning tubes will switch off but the set tanning period will still continue. When pressing the start button on the sunbed the tanning tubes will be switched on again.

### Cleaning

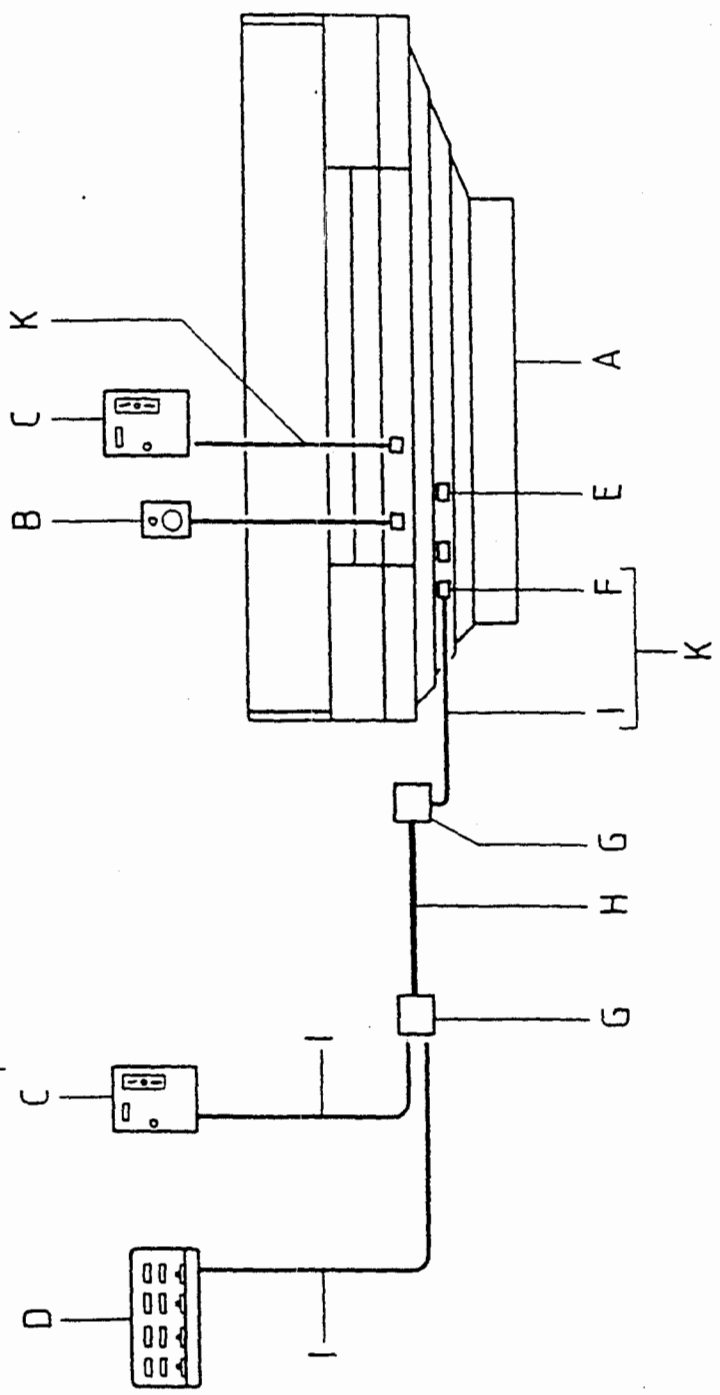
The control panel of the remote control unit is to be cleaned with a dry cloth only.



**NOTE:**  
Remote control C and D is not available in the US for use on sun beds equippt with SOLTRON S Lamps.

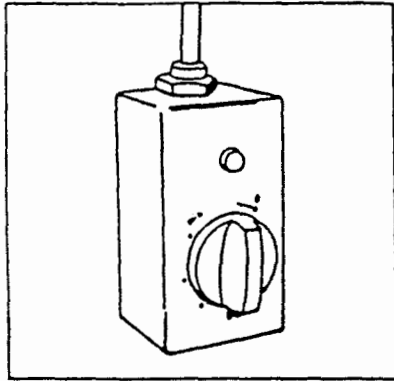
**Connection to JK control without micro-computer**  
Your JK sunbed can be connected to either remote control, a coin machine or a central remote control unit.  
The layout of the control lines and their connections can be seen in the drawing below and its circuit diagram on page 35.  
The drawing shows the sunbed from the rear.

- A = Sunbed
- B = Remote control without micro-computer
- C = Coin machine without micro-computer
- D = Central remote control
- E = Socket (brown/black)
- F = JK plug/part No. 70010440
- G = Connection box
- H = Installed screened control cable NYM 5x1.5 mm<sup>2</sup>
- I = Flexible screened control cable H 05 VW - F5 G1.5
- K = Flexible screened control cable (4 m) with JK plug part No. 70071375

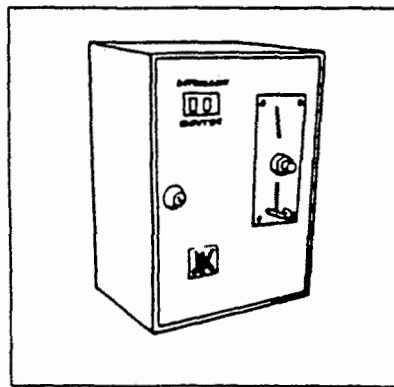




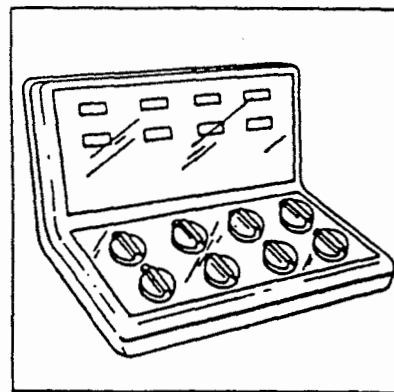
# Operating instructions Ergoline 26/35



1



2



3

For detailed instructions, please consult the separate operating instructions "MICRO-COMPUTER CONTROL" for the remote control unit or coin machine. (page 12 - 22)

### Remote control without computer control

The tanning tubes will start immediately after the desired tanning period has been set. The knob, which slowly returns to zero, will indicate the remaining tanning period. After the tanning period has expired, the tanning tubes will automatically switch off. The ventilation fan will continue operating for approximately 4 minutes to ensure adequate cooling of the sunbed.

### Coin machine without computer control

The desired tanning period is set via two knobs on the inside of the door. The tanning tubes will start immediately after a coin or token has been inserted. The remaining tanning period is continuously shown in the coin machine display. After the tanning period has expired, the tanning tubes will automatically switch off. The ventilation fan will continue operating for approximately 4 minutes to ensure adequate cooling of the sunbed.

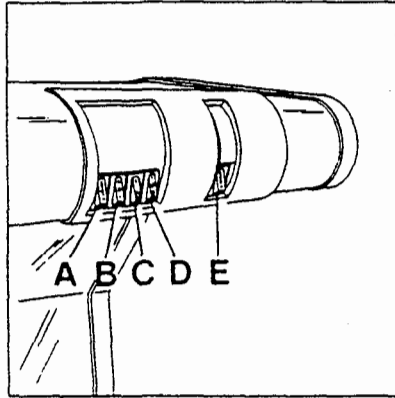
(not available in the US)

### Central remote control without computer control

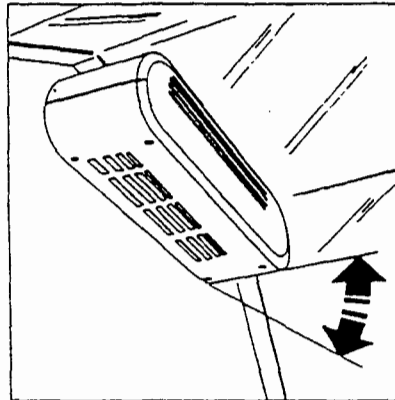
The tanning tubes will start immediately after the desired tanning period has been set. The knob, which slowly returns to zero, will indicate the remaining tanning period. After the tanning period has expired, the tanning tubes will automatically switch off. The ventilation fan will continue operating for approximately 4 minutes to ensure adequate cooling of the sunbed.

(not available in the US)

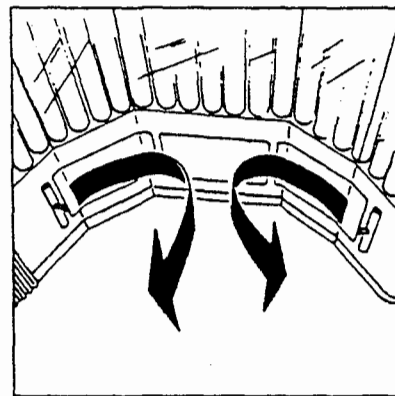
# Operating instructions Ergoline 26/35



4



5



6

## Important:

Always wear protective eyewear during tanning! Only one pair of protective eyewear has been provided.

## Facial tanner

The facial tanner can be switched on or off during the tanning period via switch (C).

## Stop and start buttons

The tanning tubes and the facial tanner can be switched on or off during the tanning period via the stop switch (E) and the start switch (A).

The set tanning period will nevertheless continue to expire after pressing the stop button.

## Body ventilation unit

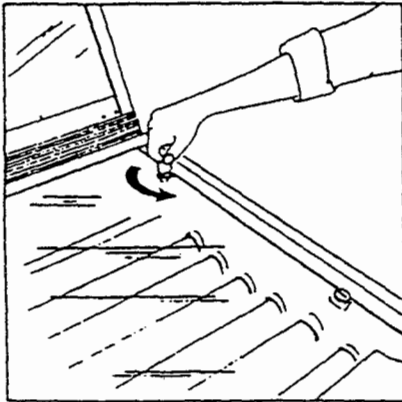
The additional body ventilation unit can be switched on to achieve a more comfortable tanning temperature.

This unit can be regulated in two stages via switch (B) and rotated to individually direct the flow of cooling air.

## Only with Ergoline 35 with 3 facial tanners

Apart from the body ventilation unit, your sunbed is equipped with two additional air nozzles to cool the face. These nozzles are located in the upper section near the outer facial tanners. Just turn the air nozzles to regulate the airflow.

# Service Ergoline 26/35



## Cleaning and exchanging the tubes

**Important!** Pull out the main plug before opening the sunbed. If the sunbed is permanently connected, either switch off or extract the mains fuse.

**In case of changing UVA tubes or high-pressure tubes always use original JK-parts of the same type.**

We recommend that you clean the tubes and the reflectors after every 50 - 100 operational hours in order to maintain full tanning performance.

The operational hours of sunbeds equipped with computer control can be seen in the display of the remote control or coin machine. Please consult the operating instructions „Micro-computer control“.

Sunbeds without computer control can be retro-fitted with an hour-counter (see page 31)

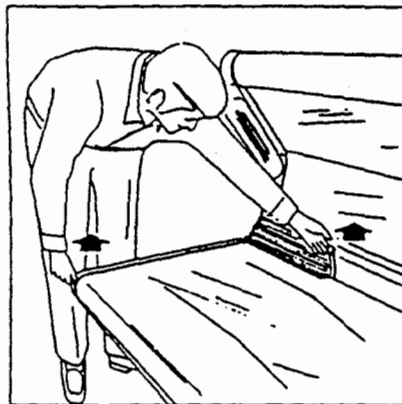
A special cleansing fluid, „SOFRACRYL“ is available from JK for cleaning the acrylic glass surfaces. The tubes and reflectors (when cold) are to be cleaned with a damp cloth.

All other plastic surfaces can be easily clean with warm water and a leather.

**Do not use aggressive disinfectants or alcoholic detergents.**

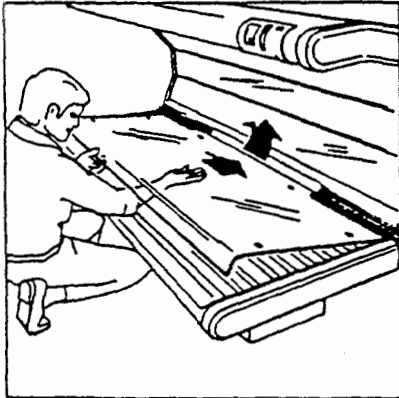
## Bench section

Turn the 8 special locking devices with a coin so that the slits are parallel to the edge of the bench section.

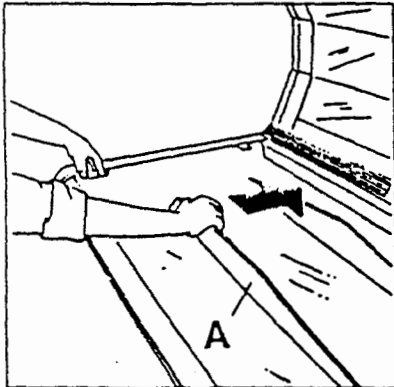


The foot end of the ergonomic surface is equipped with draw strings at the front and rear edge. Pull these draw strings so that you can place your hand under the centre of the surface.

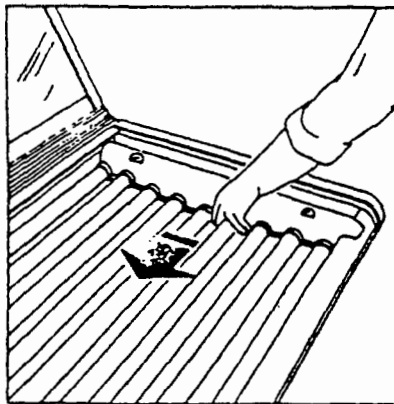
## Service Ergoline 26/35



3



4



5

Ensure that the acrylic glass surface is not misaligned and never use force. Danger of breakage!

### **Ergoline 35 with 140 W tubes only** (not available in the US)

This sunbed is additionally equipped with a special air deflection pane underneath the ergonomic surface.

Push this pane towards the rear (A) so that it is fully pulled out of the front groove.

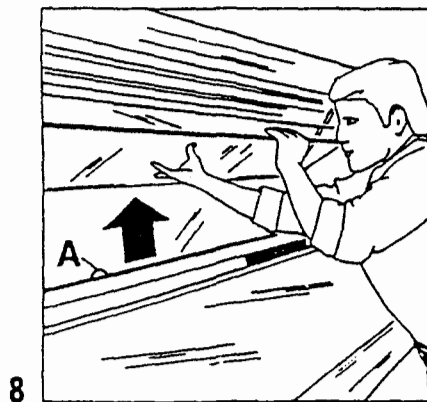
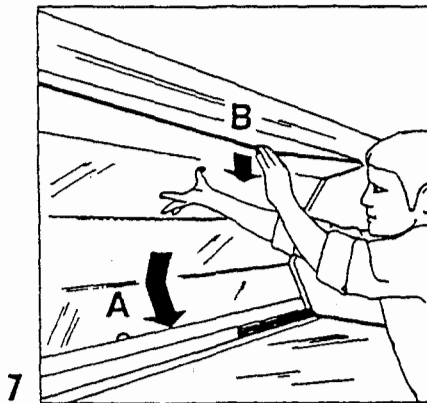
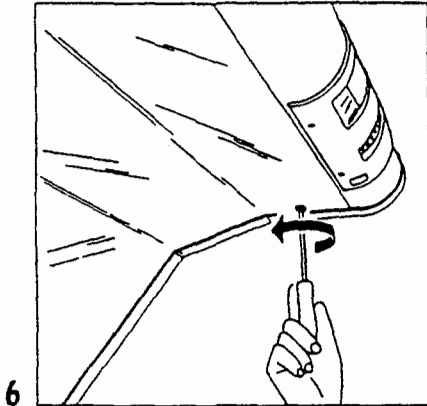
Remove the pane from the rear retainer groove and fully extract it.

**Important!** Treat this pane with care and place it on a soft surface only.

In order to extract the UVA tubes, push the tube socket cover to one side and remove it. The tanner tubes can be easily extracted for cleaning.

When exchanging the starters, please note that the starter for the tube at the rear is located at the foot end. Assembly is to be carried out in the reverse sequence.

## Service Ergoline 26/35



### Upper section

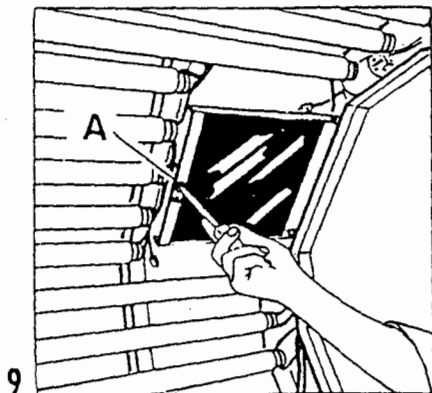
Remove 2 each screws at the head and foot end with a screwdriver.

Push the protective glass pane fully downwards in the groove (A). Place one hand against the centre of the glass and carefully bend the top edge downwards (B) until it comes out of the upper housing.

Now slide the glass pane upwards out of the lower groove. The tanner tubes can now be extracted and cleaned.

Assembly is to be carried out in the reverse sequence. When installing the glass pane, ensure that the notch (A) – which is at the rear – is located correctly. When fastening the glass pane, the two front screws are to be installed first (fig. 6).

## Service Ergoline 26/35



### Facial tanner

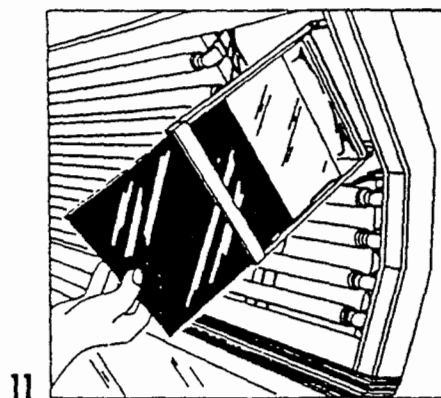
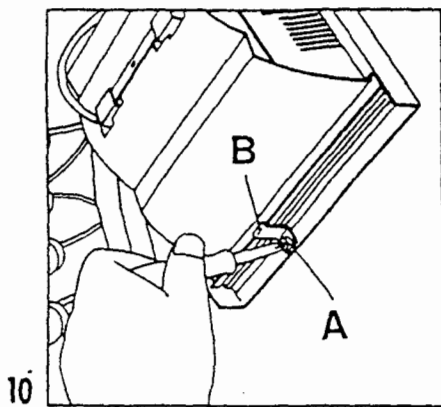
Remove the protective glass pane of the upper section as previously described. Remove the retainer screw (A) of the facial tanner.

The facial tanner can be folded outwards.

Loosen screw (A), thereafter the retainer bracket (B) can be removed.

**Caution!** Place your fingers over the edge of the facial tanner to prevent the two filter panes from falling out.

The reflector can remain in its guide tracks when removing the filters.



After cleaning the filters, ensure that the white filter is installed in the same guide tracks as the reflector.

Slide the blue filter in the central guide tracks. When correctly installed, there is a space of 4–5 mm between the clear and blue filters.

### Important! Ergoline 35 with 3 facial tanners.

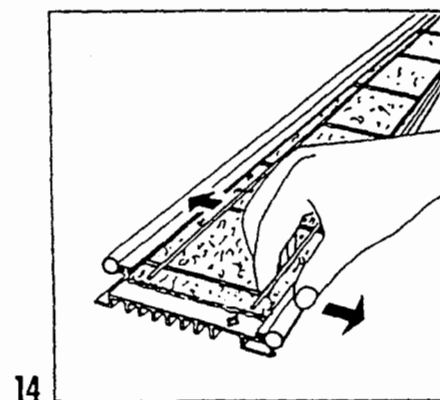
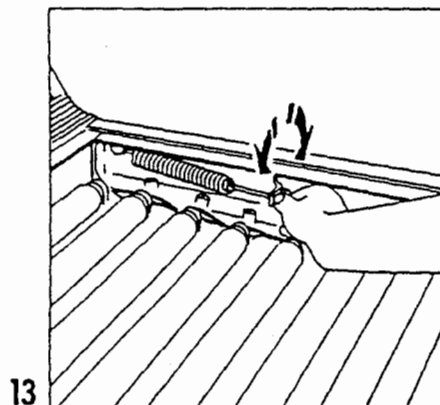
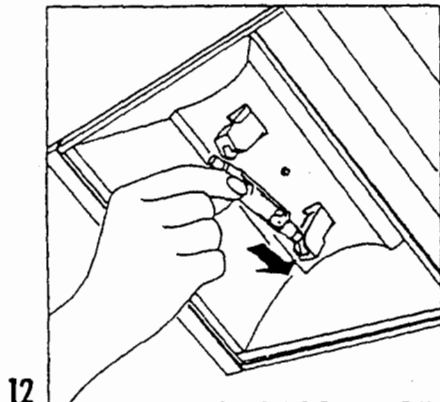
Slide in the blue filter glass into the lower guide rail track. When assembled correctly there is a distance of 8 mm between clear (white) and blue filter.

When installing the filter panes, do not overtighten the retainer screws (danger of breakage). It must be possible to move the filter panes in all directions when they are cold.

---

## Service Ergoline 26/35

---



### Exchanging the bulb

Remove glass cover and filters as previously described. Slide the bulb lengthways against one of the spring-loaded sockets. Extract the bulb and replace with one of identical type.

**Important!** Ensure that you don't touch the bulb with your bare fingers and contaminate it. If this should happen, the bulb must be thoroughly cleaned with methylated spirits.

### Important!

Do not use facial tanner without filterglass.

### Upper section holding device

If the upper section doesn't remain stable after folding it downwards, the retainer spring must probably be adjusted. Remove the ergonomic surface and tube socket cover (fig. 2-5). If the upper section does not remain in the lower position, turn the adjuster screw anticlockwise. If the upper section does not remain in the upper position, turn the adjuster screw clockwise.

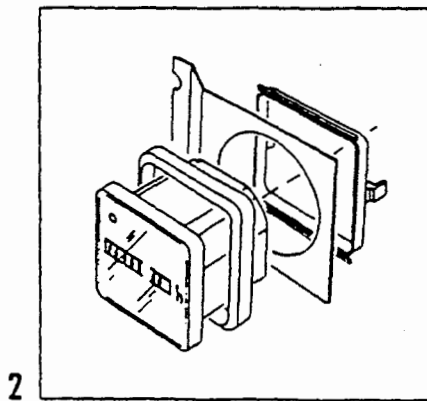
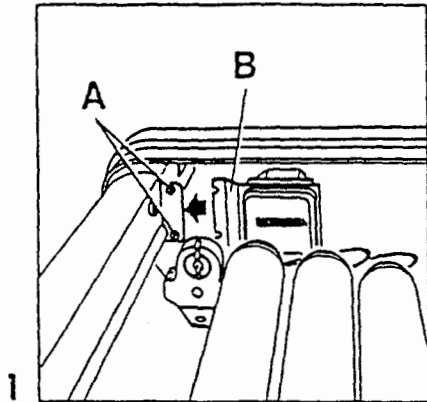
### Dust filter

**Important!** Pull out the main plug before opening the sunbed. If the sunbed is permanently connected, either switch off or extract the mains fuse.

It is recommended to exchange the dust filter after every 50 operational hours. Unscrew both flat head screws, fold the foot facing downwards and remove.

Press the long wire of the filter grid outwards at one end so that the outer lateral wire springs out. Now press both wires outwards to remove the dust filter. Assembly is carried out in the reverse sequence.

# Hour-counter Ergoline 26/35



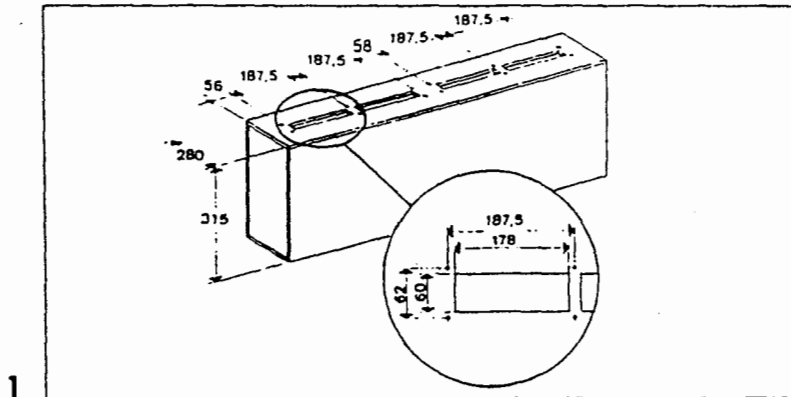
## Hour-counter

Sunbeds without computer control can be retro-fitted with an hour-counter. Its installation in the bench section is simple and can be easily carried out by yourself as follows:

- Pull out the mains plug or turn off the mains fuse.
- Dismantle ergonomic glass pane (see „Cleaning tanning tubes“ on page 26).
- Remove front tanning tube (fig. 1).
- Pre-assemble the hour-counter on its retainer plate (fig. 2) and connect the available cables. The cables are marked with „Connection hour-counter retro-fit“ on yellow sticker.
- Loosen both screws (A) by approx. 2 mm (fig. 1).
- Slide the retainer plate under the screw heads and tighten the screws.



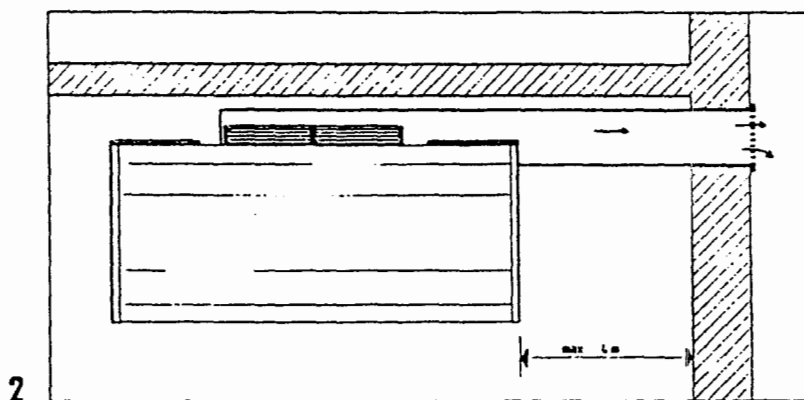
## Connection to air discharge system Ergoline 26/35



If the sunbed installation room is relatively small and/or numerous sunbeds are installed, the room temperature can become uncomfortably warm. In such cases, it is recommended to connect the sunbed(s) to an air discharge system. A special connection component (part No. 340017), two bellows and two special facings are necessary which are available as accessories from JK.

It is possible to make the connection component yourself according to the dimensions in fig. 1. The air discharge duct must not be longer than 4 m (fig. 2)

Detailed instructions for installing the connection component to the sunbed are supplied with the bellows.



### How often UVA tubes should be exchanged?

- \* JK Ergoline R 100 (Reflector) UVA tubes:  
After approximately 600-800 operational hours.
- \* JK Ergoline 100; JK Ergoline Softsun (warm-tone) and JK Ergoline S:

After approximately 400-600 operational hours.  
(\* see note below)

#### JK UVA high-pressure tubes

- JK UVA high-pressure 400 watt tubes and JK UVA high-pressure 1000 watt tubes:

After approximately 400-600 operational hours.  
(\* see note below)

#### Important!

**Pull out the mains plug before opening the tanner. If the tanner is permanently connected, remove or turn off the mains fuses to interrupt the electrical connection.**

**In case of changing UVA tubes or high-pressure tubes always use original JK-parts of the same type.**

- \* NOTE: lamp types marked with a \* are not avail. in the United States for use in the JK-ERGOLINE sun beds.

**WARNING: You must use only the recommended lamp types found on the Warning Label on the JK-ERGOLINE sun bed.**

The Performance Standard for Sunlamp Products 21 CFR Part 1040.20 does require you to do so. Do not take this lightly! IT IS THE LAW

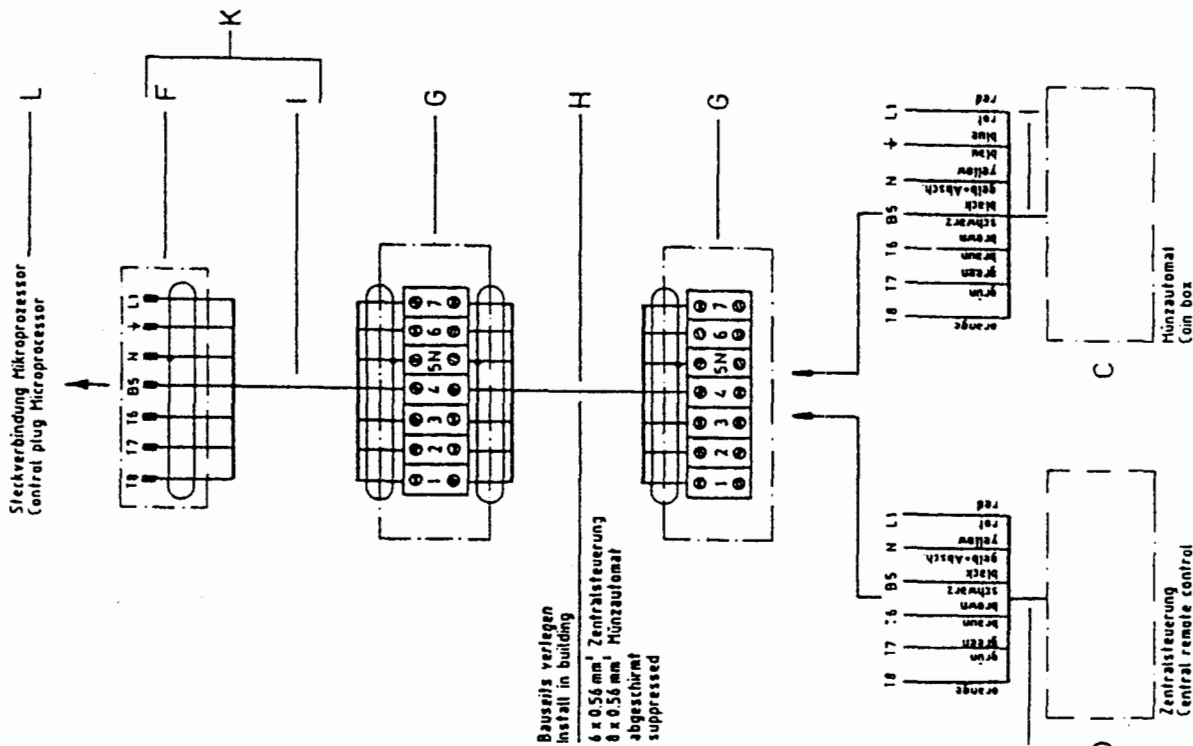
### GENERAL CAUTIONS AND RECOMMENDATIONS:

- If you are suffering from a skin disease, consult your doctor before tanning.
- Do not tan areas of the body which react negatively to tanning rays.
- Consult your doctor immediately if you experience skin infections or blisters.
- Wear protective goggles
- Remove all cosmetics (make-up) some hours before tanning.
- Do not use sun-shielding applications.
- Do not sunbathe if you are taking medicines which increase the body's UV sensitivity as a side-effect. If in doubt, consult your doctor.
- Use a solarium only once per day. Do not sunbathe again on the same day, but ensure that there are sufficient pauses between each sunbath.
- Read the operating instructions carefully. They contain further suggestions and recommendations.

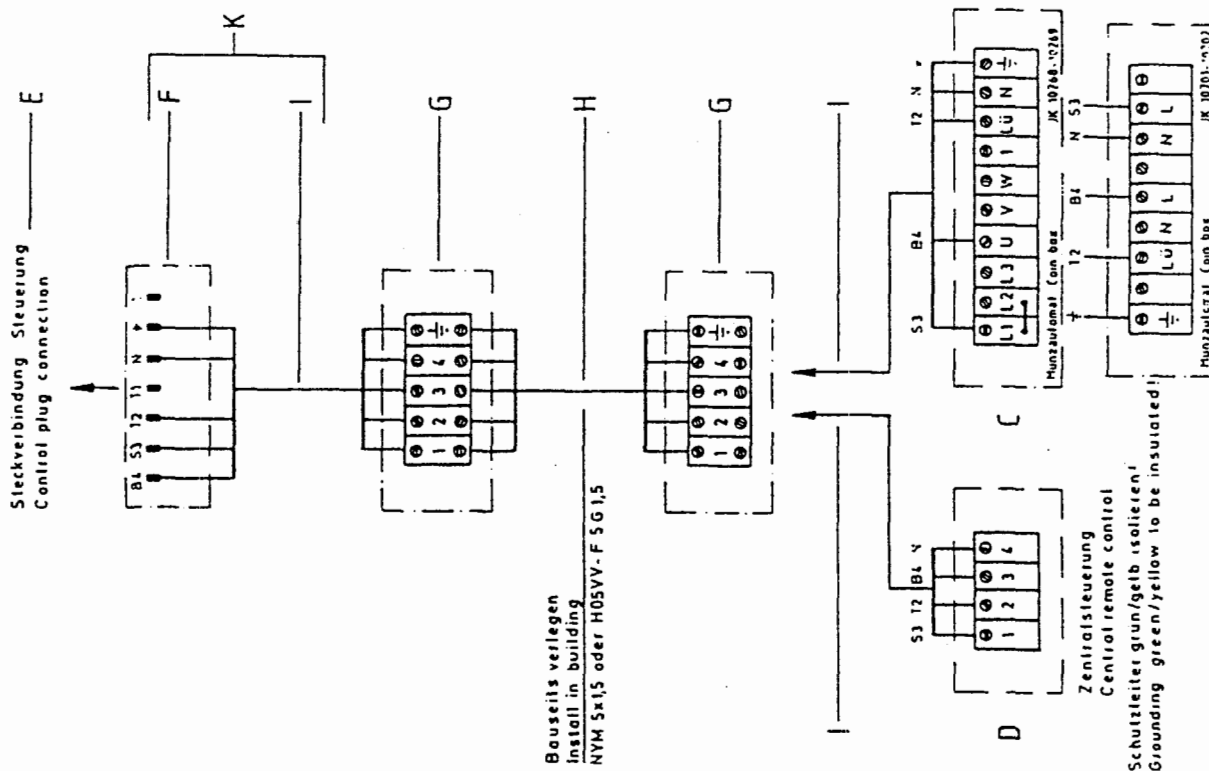
## Trouble shooting

Fault	Remedy
<ul style="list-style-type: none"> <li>● UVA tubes and ventilator do not start after setting the timer.</li> </ul>	<p>Check whether the mains plug is connected, or whether the mains supply is interrupted (fuse, trip-switch), etc.</p>
<ul style="list-style-type: none"> <li>● The UVA tubes flicker.</li> </ul>	<p>Starter defective. Voltage too low.</p>
<ul style="list-style-type: none"> <li>● The UVA tubes of combination upper section do not start after setting the timer.</li> </ul>	<p>Check connections between upper and bench section. Open bellows.</p>
<ul style="list-style-type: none"> <li>● Tanner overheats.</li> </ul>	<p>Fan does not work/ does not work properly. Remove ventilation grid and clean fan. Exchange dust filter.</p>
<ul style="list-style-type: none"> <li>● One or more tubes do not start.</li> </ul>	<p>Tube is loose in its socket. Rotate tube in socket. Tube is defective.</p>
<ul style="list-style-type: none"> <li>● Facial tanner does not start after setting the timer.</li> </ul>	<p>Check whether the separate on/off switch is switched on.</p>
<ul style="list-style-type: none"> <li>● UVA tubes glow after the tanner has been switched off.</li> </ul>	<p>Rotate plug by 180°. Plug terminals wrongly connected.</p>
<ul style="list-style-type: none"> <li>● Upper section lowers too fast or raises by itself.</li> </ul>	<p>Either tension or slacken retainer spring.</p>

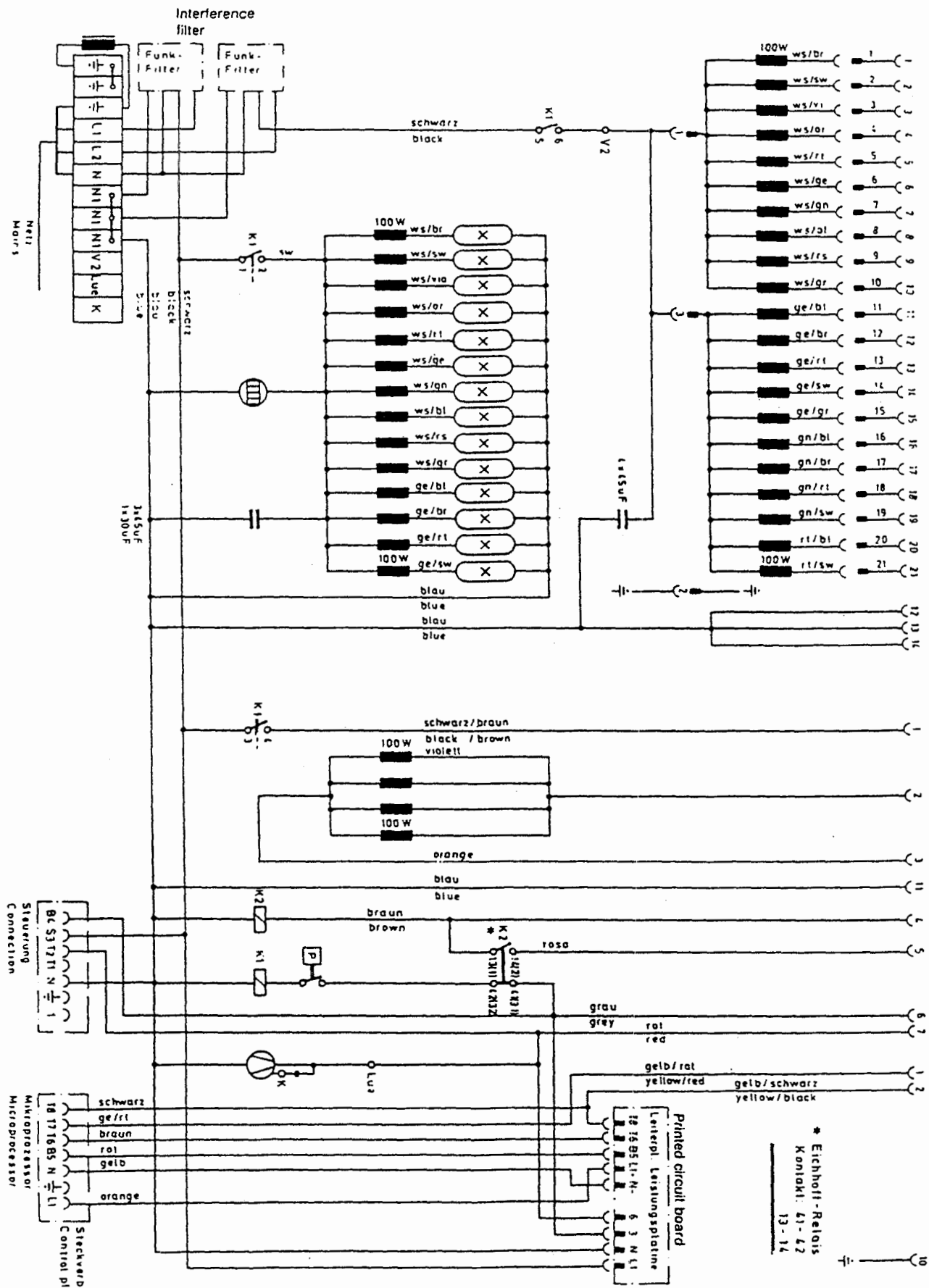
# Ergoline 26/35 Connection remote control, central remote control, coin machine with micro-computer



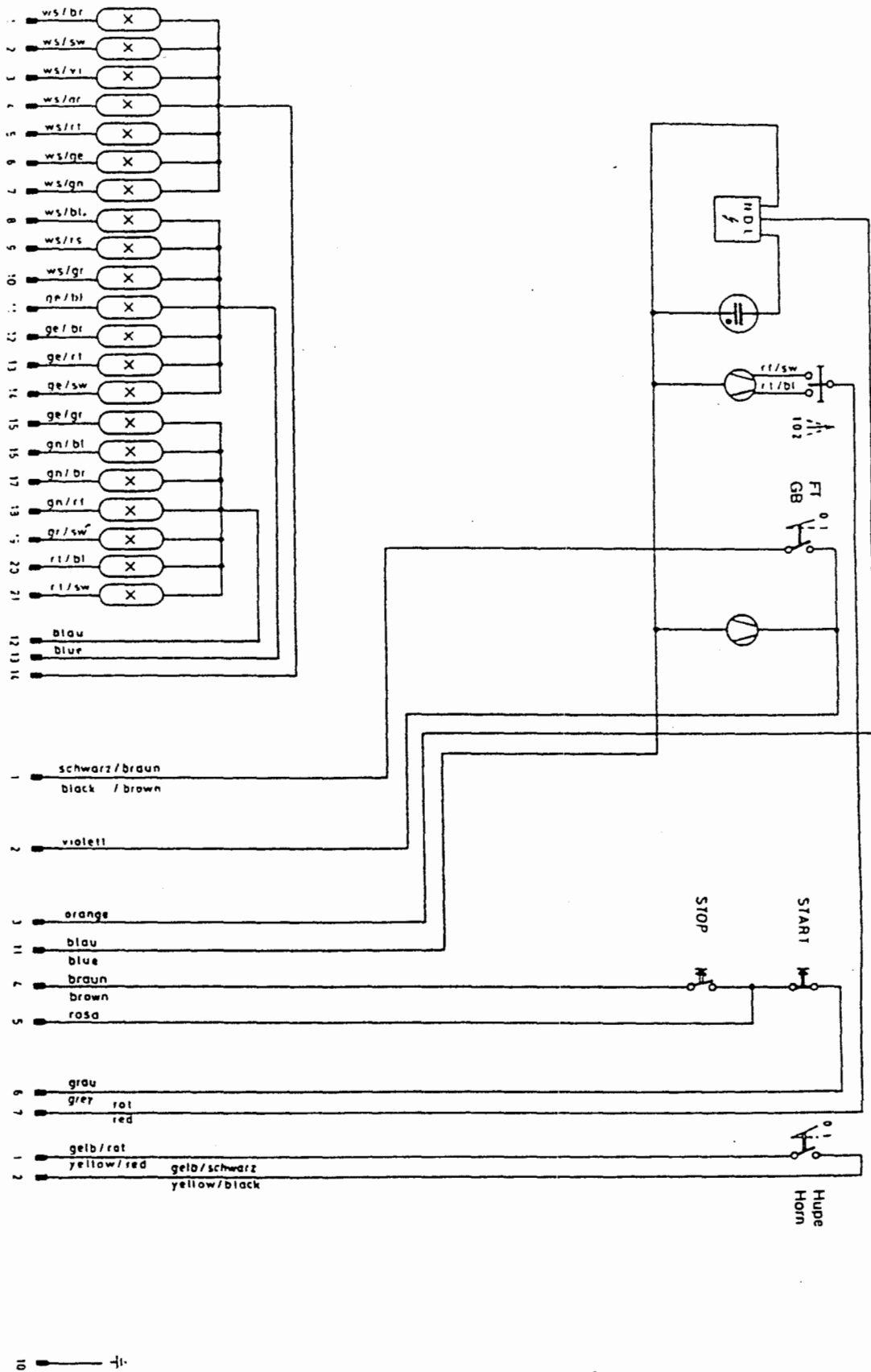
# Ergoline 26/35 Connection remote control, central remote control, coin machine without micro-computer



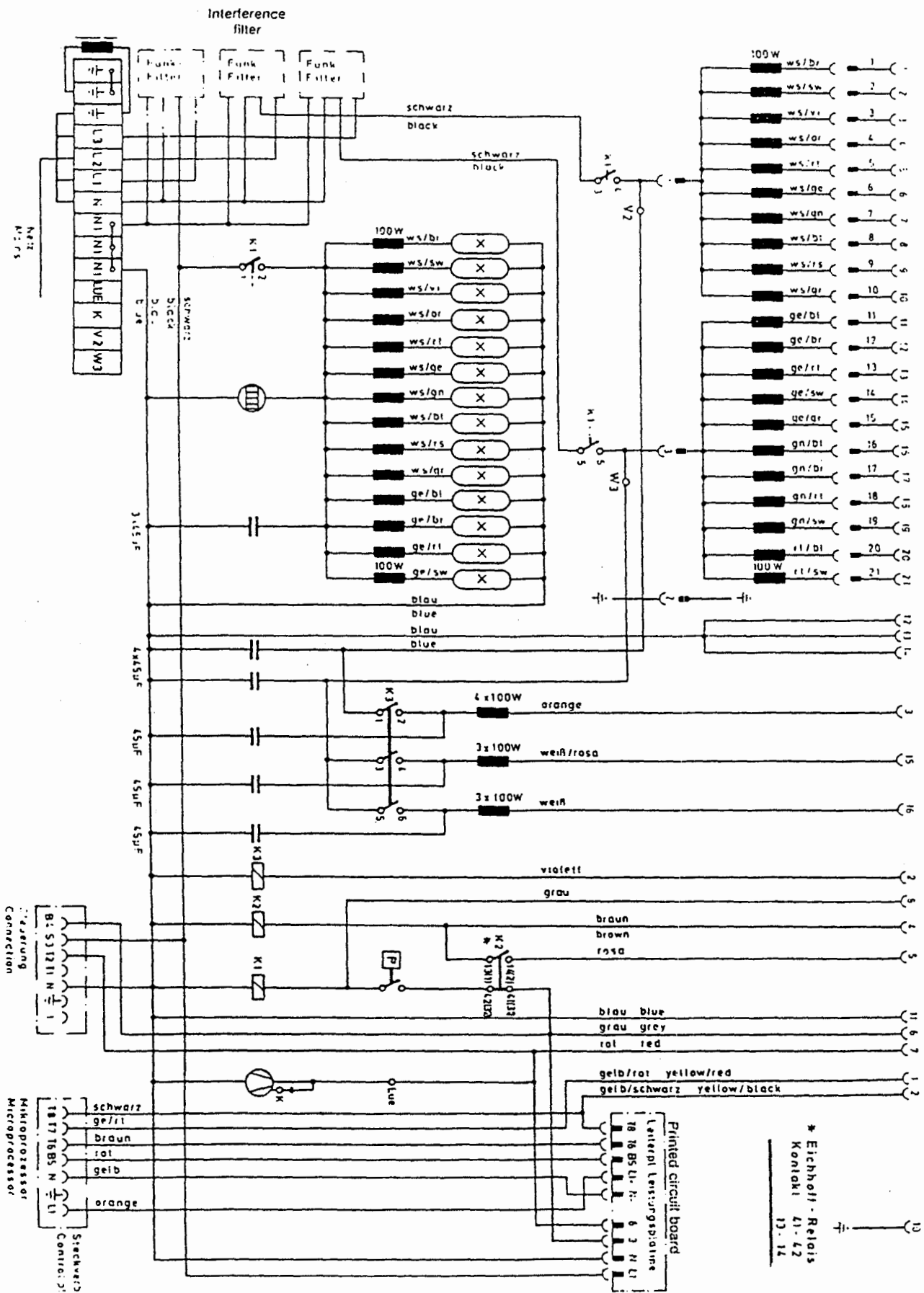
# Ergoline 35 mit 1 facial tanner (bench section)



# Ergoline 35 with 1 facial tanner (upper section)



# Engine 55 (100 W) with 3 facial tanners (bench section)



# Ergoline 35 (100 W) with 3 facial tanners (upper section)

